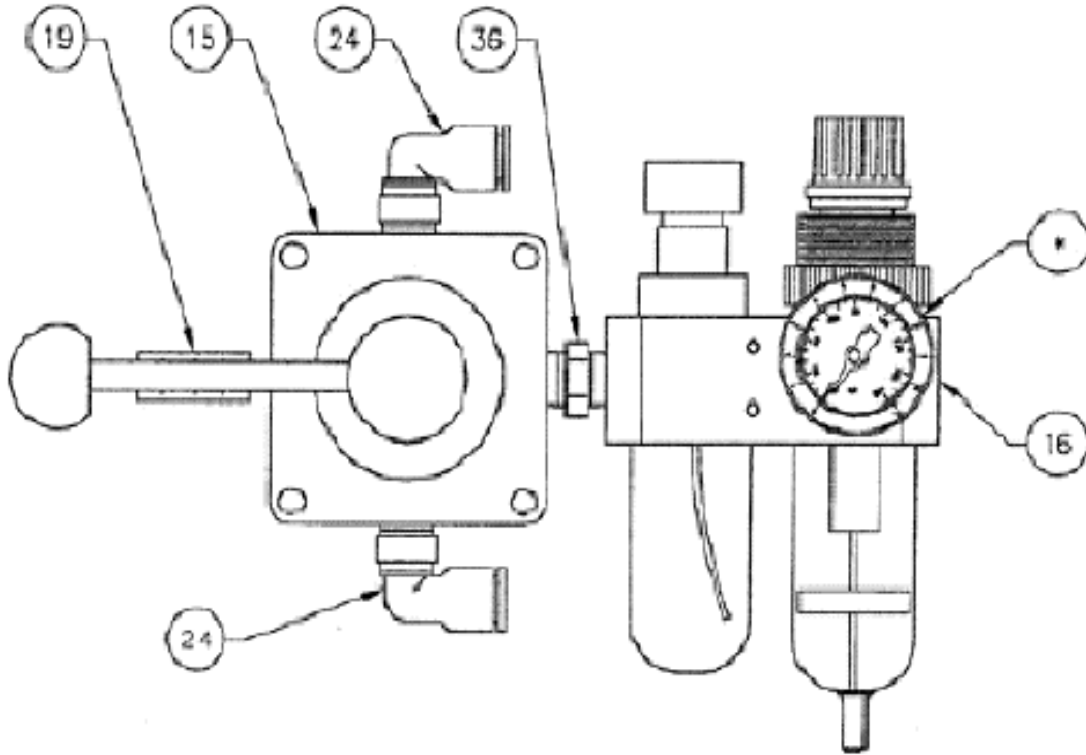


Spray-Tech DK104 Mixer Air Control Assembly



**View shown is for D-10P, D-20P, D-20SP, and DK51.
Swivel Hand Valve (#15) 180° and mount the gauge (*) on the
opposite side for D-50SP and D-100SP assembly.
Tube fitting (#24) is turned straight out on D-10P assembly**