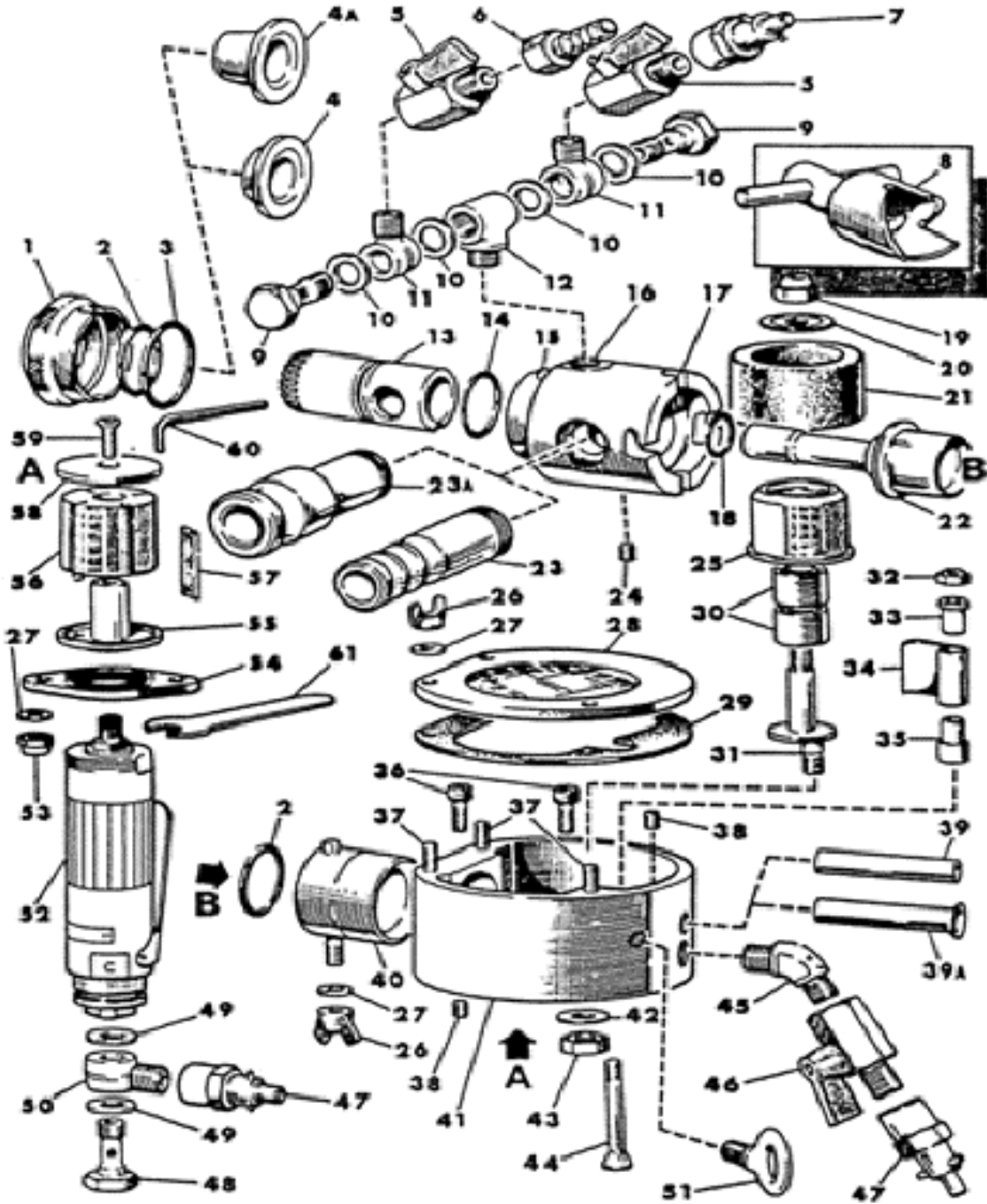


# Spray-Tech Parts Manual

## Concentric Gun



<b>Code</b>	<b>Description</b>
CSH 1	Lightweight Chopper & Spray Gun
CSH 2	Lightweight Slurry Gun
CSH 8601	Nozzle Cap Lightweight Spray Head
CSH 8602	O-Ring Set Small Nozzle Cap
CSH 8603	O-Ring Nozzle Cap Large
CSH 8604/00	Nozzle Short
CSH 8604/01	Nozzle Long
CSH 8605	3/8 Ball Tap Set
CSH 8606	3/8 Hose Tall
CSH 8607	3/8 Q.R. Adaptors
CSH 8608	Atomizer Cleaning Tool
CSH 8609	3/8 Banjo Bolt Set - 8609
CSH 8609/11	3/8 Banjo Bolt Set
CSH 8610	3/8 Copper Washer Set
CSH 8611	3/8 Banjo Bolt Set - 8611
CSH 8612	3/8 T-Piece
CSH 8613	Nozzle, Slotted
CSH 8614	O-Ring Slotted Nozzle
CSH 8615	Bayonet Pin Set
CSH 8616	3/8 Helicoil Insert
CSH 8617	Atomizer Body
CSH 8618	O-Ring Atomizer
CSH 8619	Backing Roller Security Nut
CSH 8620	Washer, Backing Roller
CSH 8621	Backing Roller
CSH 8622	Glass Fiber Delivery Tube
CSH 8623/00	Slurry Feed Tube (Standard)
CSH 8623/01	Slurry Feed Tube (Alternate)
CSH 8624	Screw, Grub
CSH 8624/01	Allen Key
CSH 8625	Inner Roller (Nylatron)
CSH 8626	Wing Nut ST
CSH 8627	Washer Set Chopper Body Cover
CSH 8628	Chopper Body Cover
CSH 8629	Chopper Body Cover Seal
CSH 8630	Backing Roller Bearing Set

CSH 8631	Backing Roller Eccentric
CSH 8632	Tension Spring Retaining Nut
CSH 8633	Tension Spring Locking Bushings
CSH 8634	Tension Spring
CSH 8635	Tension Spring #190
CSH 8636	Air Motor Cap Screw Set
CSH 8636/01	Allen Key #191
CSH 8637	Chopper Body Cover Stud Set
CSH 8638	Grub Screw
CSH 8639/01	Fiber Inlet Tube #48
CSH 8640	Chopper Body Front Tube
CSH 8641	Chopper Body
CSH 8642	Washer, Chopper Body
CSH 8643	Eccentric Securing Nut
CSH 8644	Tension Spring Bolt
CSH 8645	Air Mover Inlet Elbow
CSH 8646	Air Mover Inlet Tap Screw
CSH 8647	1/4 Q.R. Adapters
CSH 8648	1/4 Banjo Bolt
CSH 8649	1/4 Copper Washer
CSH 8650	1/4 Banjo Body
CSH 8651	Eye bolt
CSH 8652/02	D22L2800 Drill Motor
CSH 8652/101	D22L4400DR
CSH 8653	Air Motor Flange #194
CSH 8654	Air Motor Flange
CSH 8655	Cutter Block Spindle
CSH 8656/00	31MM (4-Slot) Std. Fiber Length
CSH 8656/01	41MM (3-Slot)
CSH 8656/02	25MM (5-Slot) / (6-Slot)
CSH 8656/03	12.5MM (10-Slot)
CSH 8656/04	6MM (20-Slot)
CSH 8657	Cutter Blades / 1M Box
CSH 8658	Top Cheek Plate
CSH 8659	Cutter Block Securing Screw
CSH 8660	Allen Key
CSH 8661	Air Motor Spanner
CSH 9062	Screws (Set of 8)

## **Concentric Gun Recommended Spare Parts**

<b>Quantity</b>	<b>Description</b>	<b>Unit Cost</b>	<b>Total Cost</b>
	<b>O'Rings</b>		
	<b>Miscellaneous Nuts</b>		
	<b>Miscellaneous Bolts</b>		
<b>5</b>	<b>Cover Gaskets</b>		
<b>1</b>	<b>Air Motor</b>		
<b>1</b>	<b>Box of Blades</b>		
<b>5</b>	<b>Backing Rollers</b>		
<b>1 Set</b>	<b>Backing Roller Bearings</b>		
<b>1</b>	<b>10 Blade Cutter Block</b>		
<b>1</b>	<b>6 Blade Cutter Block</b>		
<b>1</b>	<b>Delivery Tube</b>		
<b>1</b>	<b>Short Nozzle</b>		
<b>These parts are what we feel the customer needs in stock to keep from unnecessary breakdowns</b>			