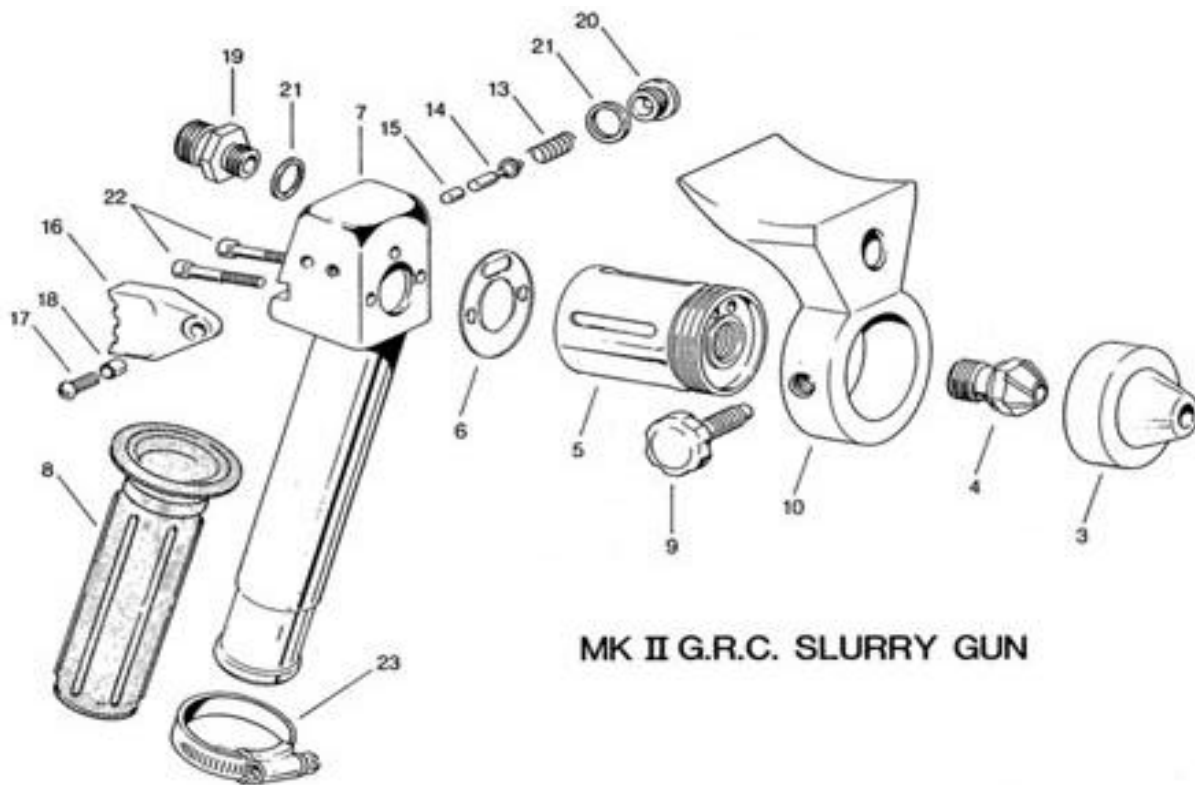


Spray-Tech Parts Manual

MKII Slurry Gun



MK II G.R.C. SLURRY GUN

Item #	Qty.	Part #	Description
	1		MKII Slurry Gun - Complete
3	1	391	Material Nozzle (Fitted as Standard)
3	1	2070	Material Nozzle (Small)
3	1	2071	Material Nozzle (Large)
4	1	392	Material Tip (Fitted as Standard)
4	1	2072	Material Tip (Small)
4	1	2073	Material Tip (Large)
5	1	393	Main Body
6	1	394	Gasket
7	1	395	Handle
8	1	396	Rubber Grip
9	1	397	Lock Screw
10	1	398	Depositor Bracket
13	1	166	Air Valve Spring
14	1	167	Air Valve
15	1	400	Lever Pin
16	1	401	Air Control Lever
17	1	383	Lever Screw, 2BA x 1/2" Round Head
18	1	402	Spacer
19	1	403	Connector, 1/4" x 3/8" BSP
20	1	404	Spring Retainer
21	1	386	Fiber Washer, 1/4" BSP
22	2	405	Retaining Screw, 3/16 BSW x 2" Cap Head
23	2	406	Jubilee Clip, NO35
24	2	412	Retaining Screw, 1/4" BSW x 1/2" C/Sunk