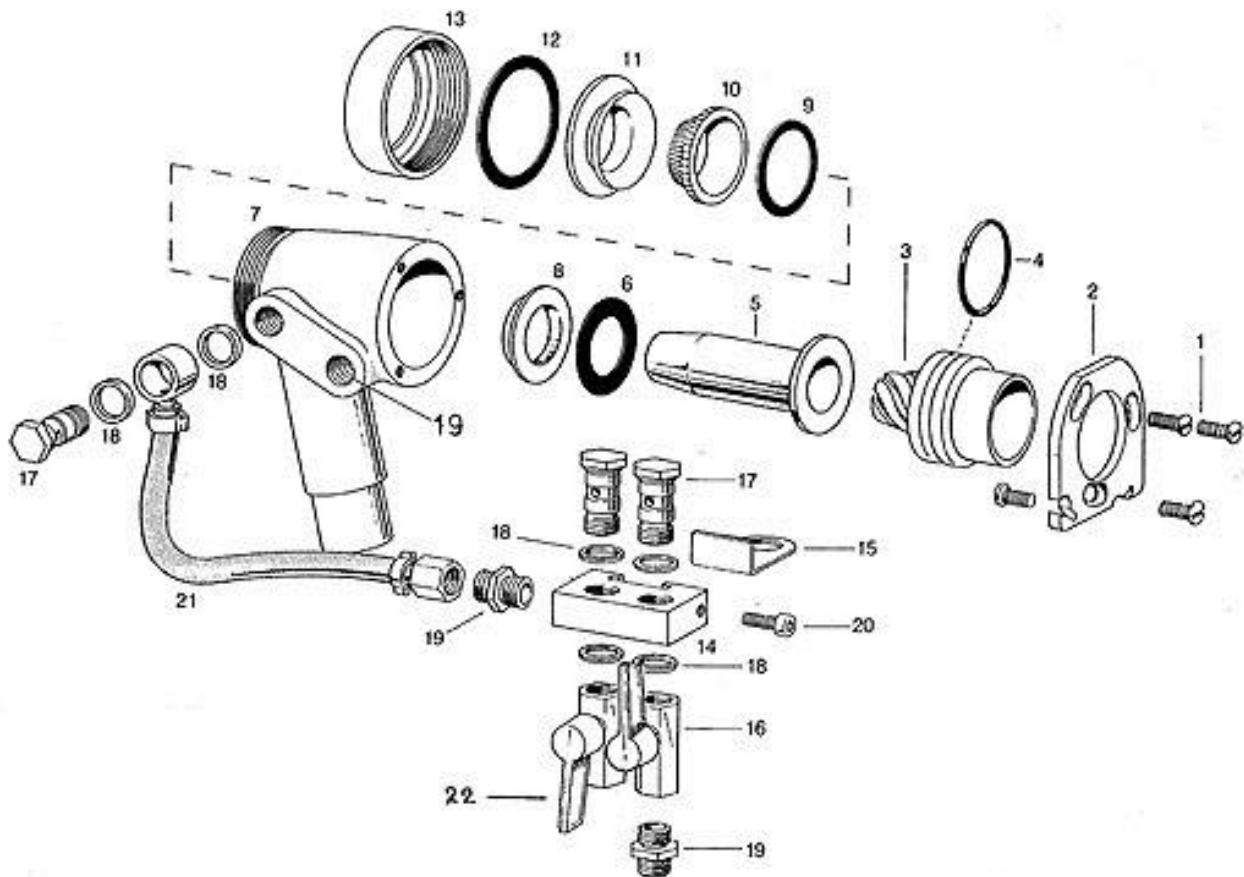


Spray-Tech Parts Manual

PII Concentric Gun



Item #	Qty	Part #	Part Description
1	5	366	Retaining Screw
2	1	367	Clamp Plate
3	1	368	Fiber Inlet Tube
4	1	369	Fiber Tube O-Ring
5	1	370	Main Tube
6	1	371	Main Tube Gasket
7	1	372	Spray Body (Complete with Item 8)
8	1	373	Spray Body Sleeve
9	1	374	Slurry Gasket
10	1	375	Slurry Cap Upper
11	1	376	Slurry Cap Lower
12	1	377	Retaining Ring Gasket
13	1	378	Retaining Ring
14	1	379	Manifold
15	1	380	Manifold Bracket
16	2	381	Lever Valve
17	3	382	Banjo Bolt 1/4" BSP
18	6	386	Fiber Washer 1/4" BSP
19	4	387	Connector 1/4" x 1/4" BSP
20	1	1883	Retaining Screw, M5 x 16 Cap Head
21	1	384	Hose, Spray, 1/4" Bore x 12", PVC
22	2	1094	Lever, Spare